

4

3

2

1

NOTES:
 1- MOTOR SUPPLIED AS TWO SEPERATE COMPONENTS, STATOR ASSEMBLY AND FIELD ASSEMBLY.
 2- FOR A C.C.W. ROTATION, AS VIEWED FROM LEAD END, ENERGIZE PER EXCITATION SEQUENCE TABLE.
 3- RoHS (DIRECTIVE 2002/95/EC AND AMMENDMENTS) COMPLIANCE REQUIRED.

THERMISTOR LEADS:
 #26 AWG TEFLON COATED
 UL RATED 600V, 150°C MIN,
 400.00 [15.75"] MIN. LG.
 EACH 1-BLUE, 1-BLACK

MOTOR LEADS:
 #14 AWG TEFLON COATED PER
 UL 10086, 400.00 [15.75"] MIN. LG.
 EACH 1-BLUE, 1-BROWN, 1-VIOLET

REVISION				
REV	ECN NO.	DESCRIPTION	DATE	APPROVED

0.077 [.003] A
 -B-

0.051 [.0020] B

16.13
 [.635]
 MTG. DIM.

"A"
 STATOR
 "B"
 ROTOR

MARK O.D. WITH MODEL NO, SERIAL NO,
 FSCM NO. PER ITEM #3.

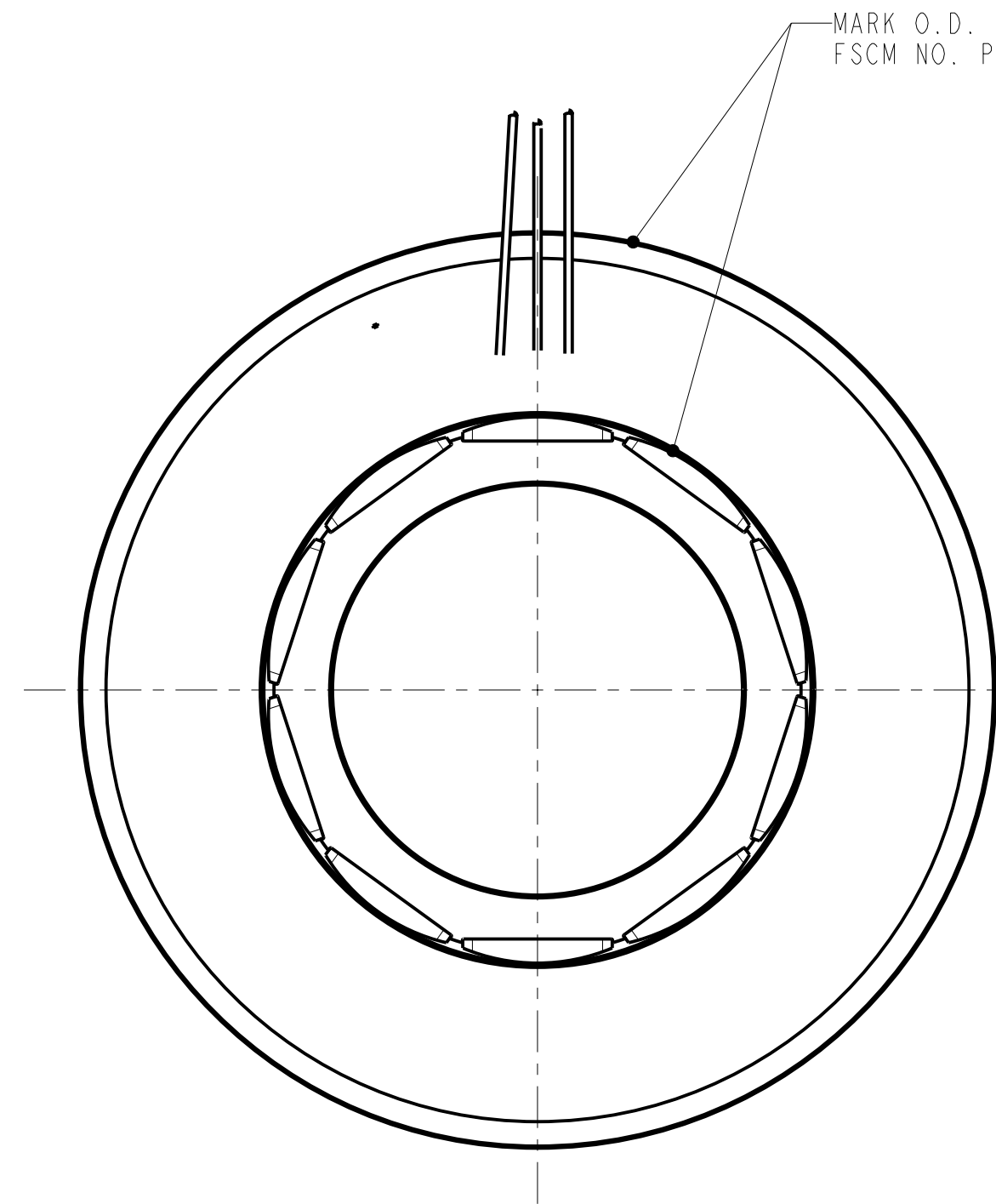
∅ 189.913-190.000
 [7.4769-7.4803]

∅ 85.000-85.035
 [3.3465-3.3478]

.10 [.004] A

25° X 1.52
 [.060]
 2 PL.

SECTION A-A



MODEL NUMBER	STATOR SEE BOM	FIELD ASSEMBLY	"A" DIM	"B" DIM
KBM-45X01	945905/01X	945903/01	107.06 [4.215]	69.04 [2.718]
KBM-45X02	945905/02X	945903/02	141.06 [5.554]	102.92 [4.052]
KBM-45X03	945905/03X	945903/03	175.05 [6.892]	136.81 [5.386]

STEP	PHASE "U" BLUE	PHASE "V" BROWN	PHASE "W" VIOLET
1	+	-	
2	+		-
3		+	-
4	-	+	
5	-		+
6		-	+

EXCITATION SEQUENCE TABLE

THIS DOCUMENT IS ONLY FOR USE BY THE INTENDED RECIPIENT AND CONTAINS KOLLMORGEN CONFIDENTIAL INFORMATION

Pro/E Instance Name	KBM_45XXX_945908
Pro/E Drawing Name	945908
Pro/E Model Type	ASSEM
Pro/Engineer Drawing	



METRIC DRAWING

<p>DO NOT SCALE DRAWING, USE DIMENSIONS ONLY ALL DIMENSIONS ARE IN MILLIMETERS DIMENSIONS IN BRACKETS [] ARE IN INCHES AND ARE FOR REFERENCE ONLY.</p>	<p>DRW'N BY: L&T CHECKED BY: LW APPROVED BY: AG</p>	<p>DATE: 20-Apr-09 DATE: 17-Sep-09 DATE: 17-Sep-09</p>
--	---	--

3	AR	IM-2709	MARKING PROCEDURE
2	I	SEE TABLE 1	FIELD ASSEMBLY
1	I	SEE TABLE 1	STATOR ASSEMBLY
ITEM	QTY	IDENTIFYING NO.	DESCRIPTION
LIST OF PARTS			
UNLESS OTHERWISE SPECIFIED: REMOVE ALL SHARP BURRS AND BREAK ALL SHARP EDGES X DECIMAL PLACES ±.4 [.015] XX DECIMAL PLACES ±.13 [.005] ANGULAR DIMENSIONS ±1°		<p>KOLLMORGEN Inland Motor INLAND MOTOR 501 FIRST STREET RADFORD, VIRGINIA 24141</p>	
<p>OUTLINE AND ASSEMBLY KBM-45XXX-X00</p>			
FSCM 11384		SIZE C	DWG. NO. 945908
SCALE: 3:4		JOB NO.:	REV -
INTERPRET GEOMETRIC SYMBOLS PER ANSI Y14.5M-1982		SHEET 1 OF 1	

945908

4

3

2

1