

4

3

2

1

NOTES:  
 1- MOTOR SUPPLIED AS TWO SEPERATE COMPONENTS, STATOR ASSEMBLY AND FIELD ASSEMBLY.  
 2- FOR A C.C.W. ROTATION, AS VIEWED FROM LEAD END, ENERGIZE PER EXCITATION SEQUENCE TABLE.  
 3- RoHS (DIRECTIVE 2002/95/EC AND AMMENDMENTS) COMPLIANCE REQUIRED.

THERMISTOR LEADS:  
 #26 AWG TEFLON COATED  
 UL RATED 600V, 150°C MIN,  
 400.00 [15.75"] MIN. LG.  
 EACH 1-BLUE, 1-BLACK

MOTOR LEADS:  
 #14 AWG TEFLON COATED PER  
 UL 10086, 400.00 [15.75"] MIN. LG.  
 EACH 1-BLUE, 1-BROWN, 1-VIOLET

REVISION				
REV	ECN NO.	DESCRIPTION	DATE	APPROVED

0.051 [.002] A  
 -B-

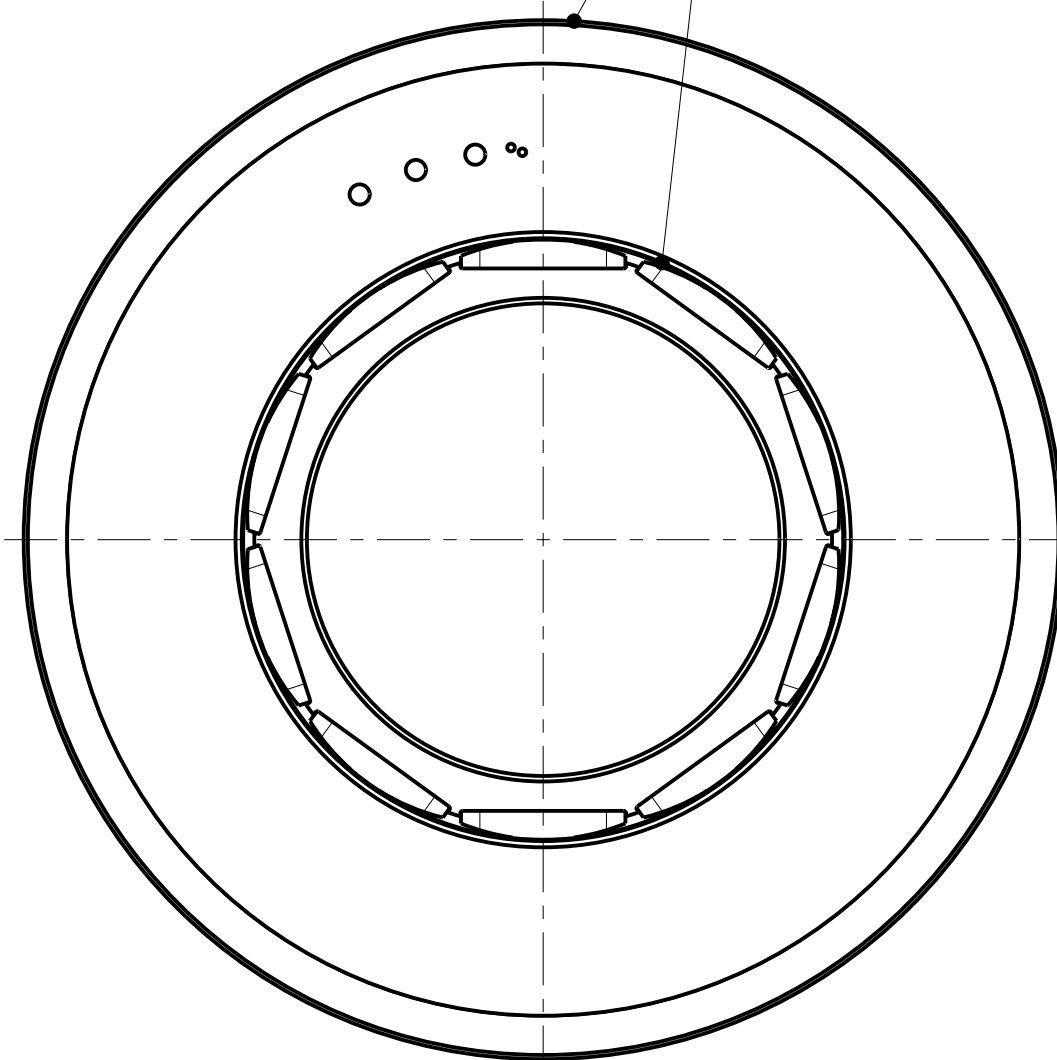
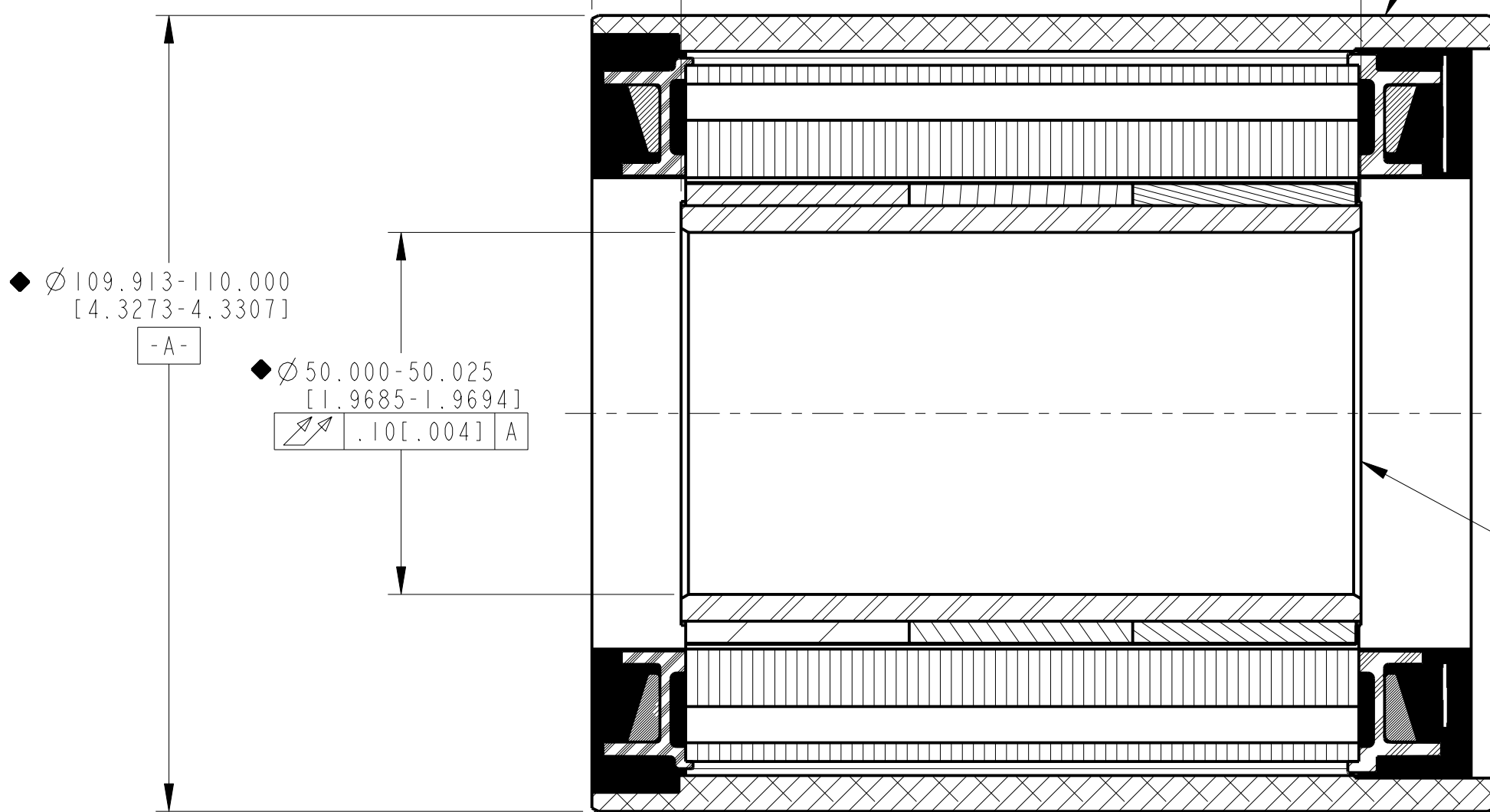
0.026 [.0010] B

12.32  
 [.485]  
 MTG. DIM.

"A"  
 STATOR

"B"  
 ROTOR

MARK O.D. WITH MODEL NO, SERIAL NO,  
 FSCM NO. PER ITEM #3.



25° X 1.52  
 [.060]  
 2 PL.

SECTION A-A

MODEL NUMBER	STATOR SEE BOM	FIELD ASSEMBLY	"A" DIM	"B" DIM
KBM-25X01	945873/01X	945871/01	62.70 [2.469]	32.16 [1.266]
KBM-25X02	945873/02X	945871/02	93.70 [3.689]	63.05 [2.482]
KBM-25X03	945873/03X	945871/03	124.70 [4.909]	93.93 [3.698]
KBM-25X04	945873/04X	945871/04	155.70 [6.130]	124.82 [4.914]

STEP	PHASE "U" BLUE	PHASE "V" BROWN	PHASE "W" VIOLET
1	(+)	(-)	
2	(+)		(-)
3		(+)	(-)
4	(-)	(+)	
5	(-)		(+)
6		(-)	(+)

EXCITATION SEQUENCE TABLE

THIS DOCUMENT IS ONLY FOR USE BY THE INTENDED RECIPIENT AND CONTAINS KOLLMORGEN CONFIDENTIAL INFORMATION

Pro/E Instance Name	KBM_25XXX_945876
Pro/E Drawing Name	945876
Pro/E Model Type	ASSEM
Pro/Engineer Drawing	



METRIC DRAWING

SIGNIFICANT PRODUCT CHARACTERISTIC CRITICAL PRODUCT CHARACTERISTIC	DO NOT SCALE DRAWING, USE DIMENSIONS ONLY ALL DIMENSIONS ARE IN MILLIMETERS DIMENSIONS IN BRACKETS ( ) ARE IN INCHES AND ARE FOR REFERENCE ONLY. INTERPRET GEOMETRIC SYMBOLS PER ANSI Y14.5M-1982	DRAWN BY: L&T CHECKED BY: LW APPROVED BY: AG	DATE: 09-Apr-09 DATE: 17-Sep-09 DATE: 17-Sep-09
---	---	--	---

3	AR	IM-2709	MARKING PROCEDURE
2	I	SEE TABLE 1	FIELD ASSEMBLY
1	I	SEE TABLE 1	STATOR ASSEMBLY
ITEM	QTY	IDENTIFYING NO.	DESCRIPTION
LIST OF PARTS			
KOLLMORGEN		INLAND MOTOR	
Inland Motor		501 FIRST STREET RADFORD, VIRGINIA 24141	
OUTLINE AND ASSEMBLY KBM- 25XXX-X00			
FSCM	SIZE	DWG. NO.	REV
11384	C	945876	-
SCALE: 5:4	JOB NO.:	SHEET 1 OF 1	

4

3

2

1

REV. -

DWG. NO. 945876

A