

4

3

2

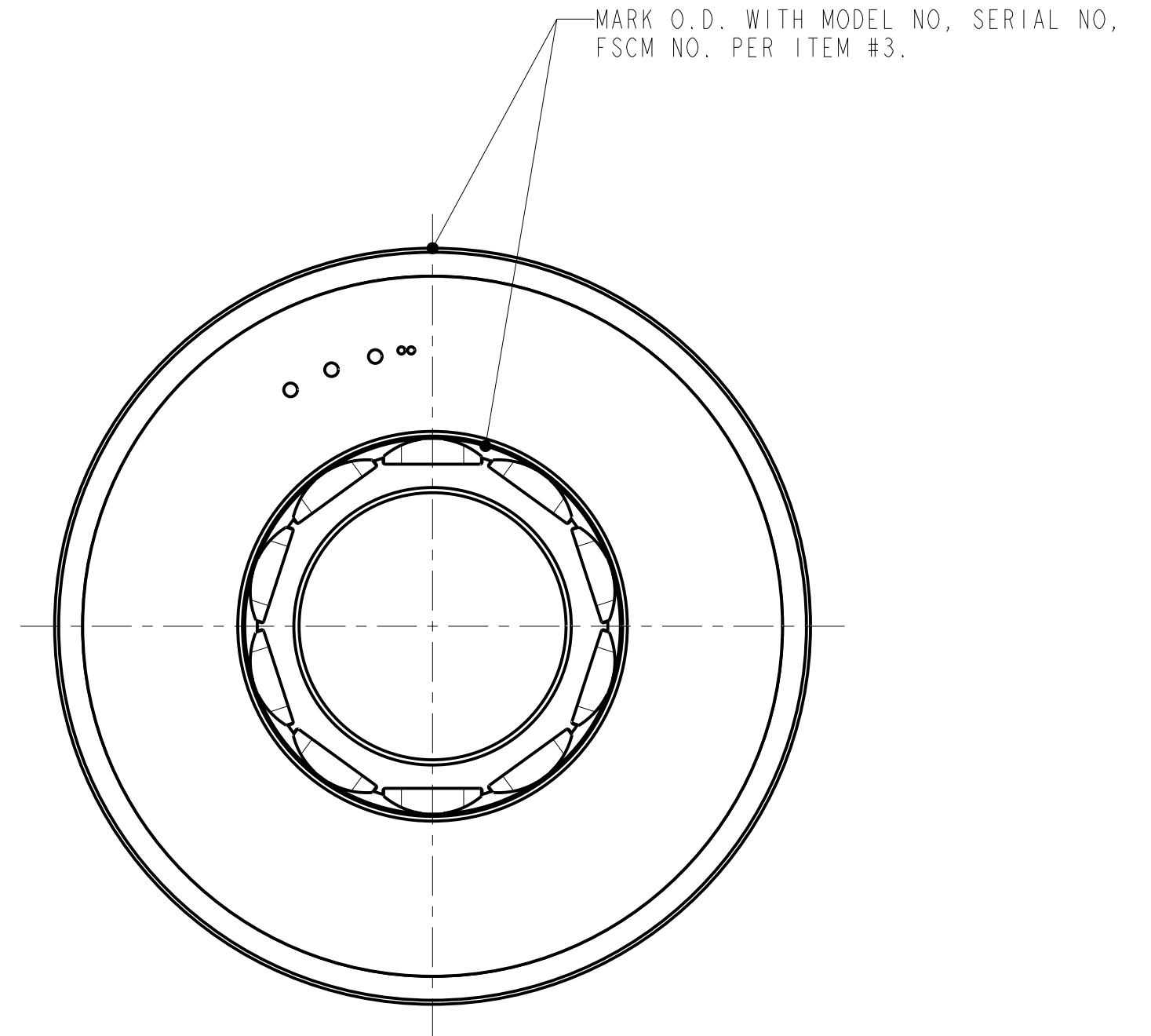
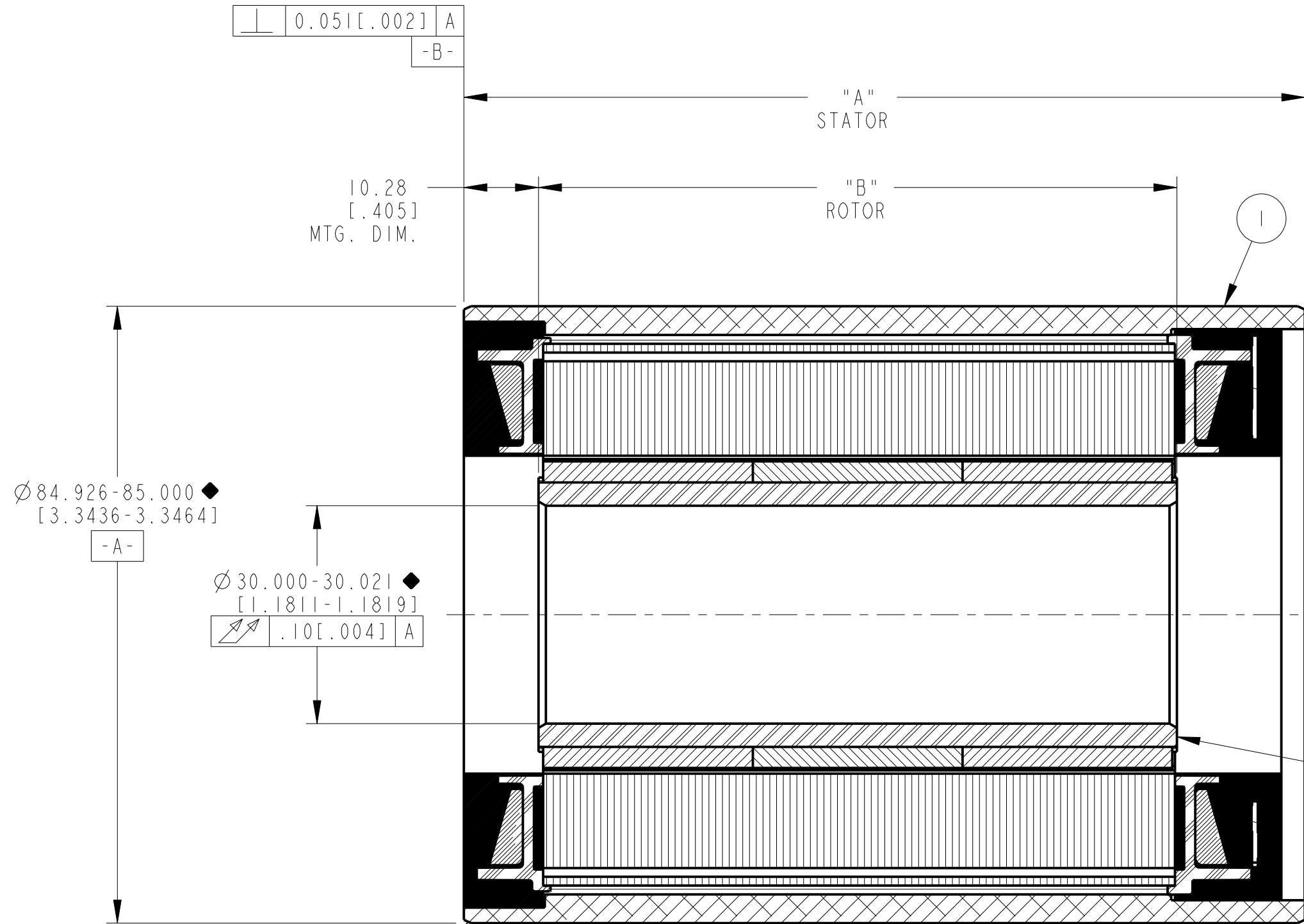
1

NOTES:  
 1- MOTOR SUPPLIED AS TWO SEPERATE COMPONENTS, STATOR ASSEMBLY AND FIELD ASSEMBLY.  
 2- FOR A C.C.W. ROTATION, AS VIEWED FROM LEAD END, ENERGIZE PER EXCITATION SEQUENCE TABLE.  
 3- RoHS (DIRECTIVE 2002/95/EC AND AMMENDMENTS) COMPLIANCE REQUIRED.

THERMISTOR LEADS:  
 #26 AWG TEFLON COATED  
 UL RATED 600V, 150°C MIN,  
 400.00 [15.75"] MIN. LG.  
 EACH 1-BLUE, 1-BLACK

MOTOR LEADS:  
 #18 AWG TEFLON COATED PER  
 UL 10086, 400.00 [15.75"] MIN. LG.  
 EACH 1-BLUE, 1-BROWN, 1-VIOLET

REVISION				
REV	ECN NO.	DESCRIPTION	DATE	APPROVED



SECTION A-A

MODEL NUMBER	STATOR SEE BOM	FIELD ASSEMBLY	"A" DIM	"B" DIM
KBM-17X01	945818/01X	945816/01	57.80 [2.276]	30.15 [1.187]
KBM-17X02	945818/02X	945816/02	86.80 [3.417]	59.03 [2.324]
KBM-17X03	945818/03X	945816/03	115.80 [4.559]	87.91 [3.461]
KBM-17X04	945818/04X	945816/04	144.80 [5.701]	116.79 [4.598]

STEP	PHASE "U" BLUE	PHASE "V" BROWN	PHASE "W" VIOLET
1	+	-	
2	+		-
3		+	-
4	-	+	
5	-		+
6		-	+

EXCITATION SEQUENCE TABLE

THIS DOCUMENT IS ONLY FOR USE BY THE INTENDED RECIPIENT AND CONTAINS KOLLMORGEN CONFIDENTIAL INFORMATION

Pro/E Instance Name	KBM.17XXI.945821
Pro/E Drawing Name	945821
Pro/E Model Type	ASSEM
Pro/Engineer Drawing	

3	AR	IM-2709	MARKING PROCEDURE
2	I	SEE TABLE 1	FIELD ASSEMBLY
1	I	SEE TABLE 1	STATOR ASSEMBLY
ITEM	QTY	IDENTIFYING NO.	DESCRIPTION



METRIC DRAWING

SIGNIFICANT PRODUCT CHARACTERISTIC CRITICAL PRODUCT CHARACTERISTIC	DO NOT SCALE DRAWING, USE DIMENSIONS ONLY ALL DIMENSIONS ARE IN MILLIMETERS DIMENSIONS IN BRACKETS [ ] ARE IN INCHES AND ARE FOR REFERENCE ONLY. INTERPRET GEOMETRIC SYMBOLS PER ANSI Y14.5M-1982	DRAWN BY: L&T CHECKED BY: LW APPROVED BY: AG	DATE: 03-Apr-09 DATE: 18-Sep-09 DATE: 18-Sep-09
---	--	--	---

LIST OF PARTS		KOLLMORGEN		INLAND MOTOR	
UNLESS OTHERWISE SPECIFIED: REMOVE ALL SHARP BURRS AND BREAK ALL SHARP EDGES X DECIMAL PLACES ±.4 [0.015] XX DECIMAL PLACES ±.13 [0.005] ANGULAR DIMENSIONS ±1°		Inland Motor		501 FIRST STREET RADFORD, VIRGINIA 24141	
OUTLINE AND ASSEMBLY KBM-17XXX-X00		FSCM	SIZE	DWG. NO.	REV
SCALE: 3:2		11384	C	945821	-
JOB NO.:		SHEET 1 OF 1			

4

3

2

1

DWG. NO. 945821