

4

3

2

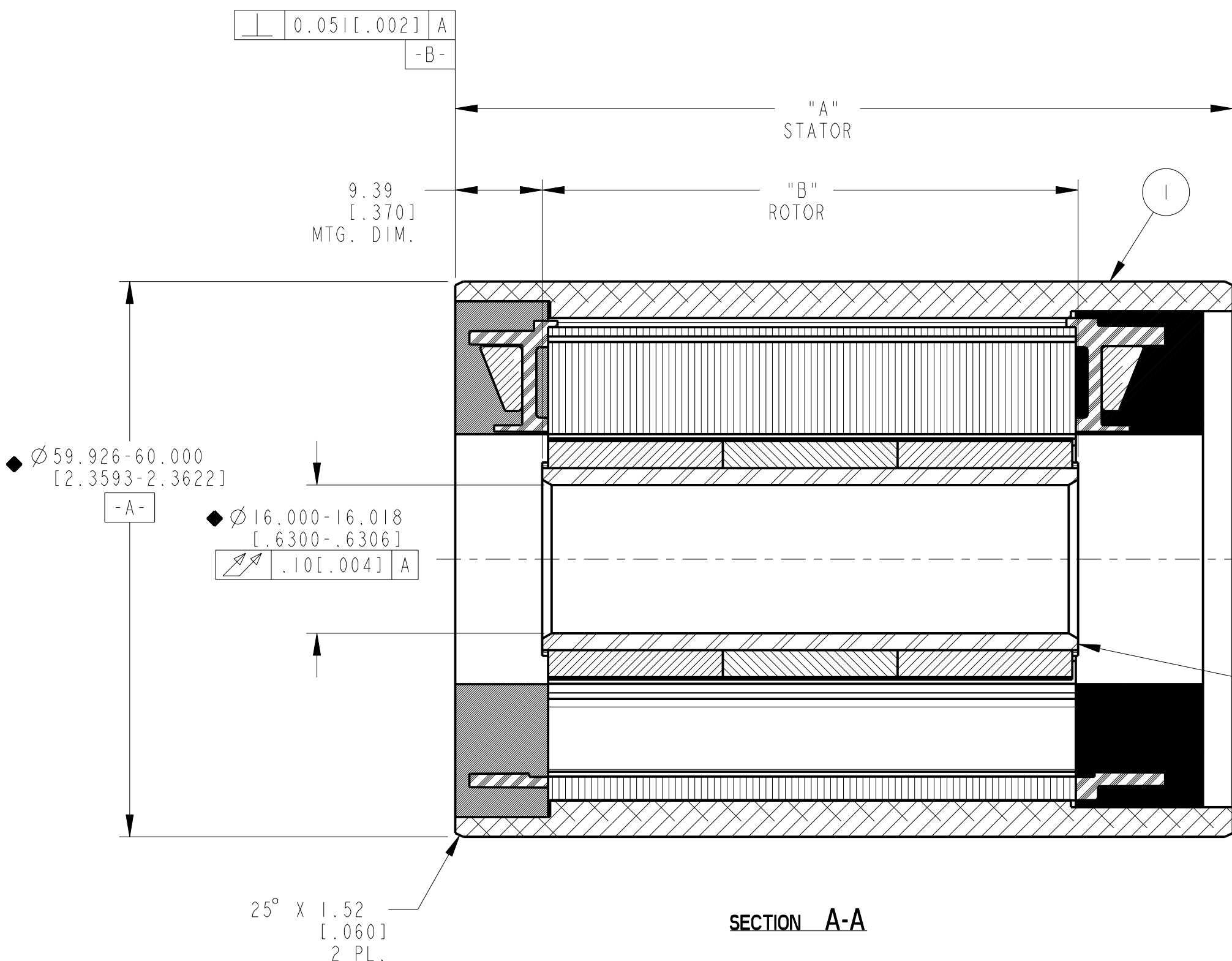
1

NOTES:
 1- MOTOR SUPPLIED AS TWO SEPERATE COMPONENTS, STATOR ASSEMBLY AND FIELD ASSEMBLY.
 2- FOR A C.C.W. ROTATION, AS VIEWED FROM LEAD END, ENERGIZE PER EXCITATION SEQUENCE TABLE.
 3- RoHS (DIRECTIVE 2002/95/EC AND AMENDMENTS) COMPLIANCE REQUIRED.

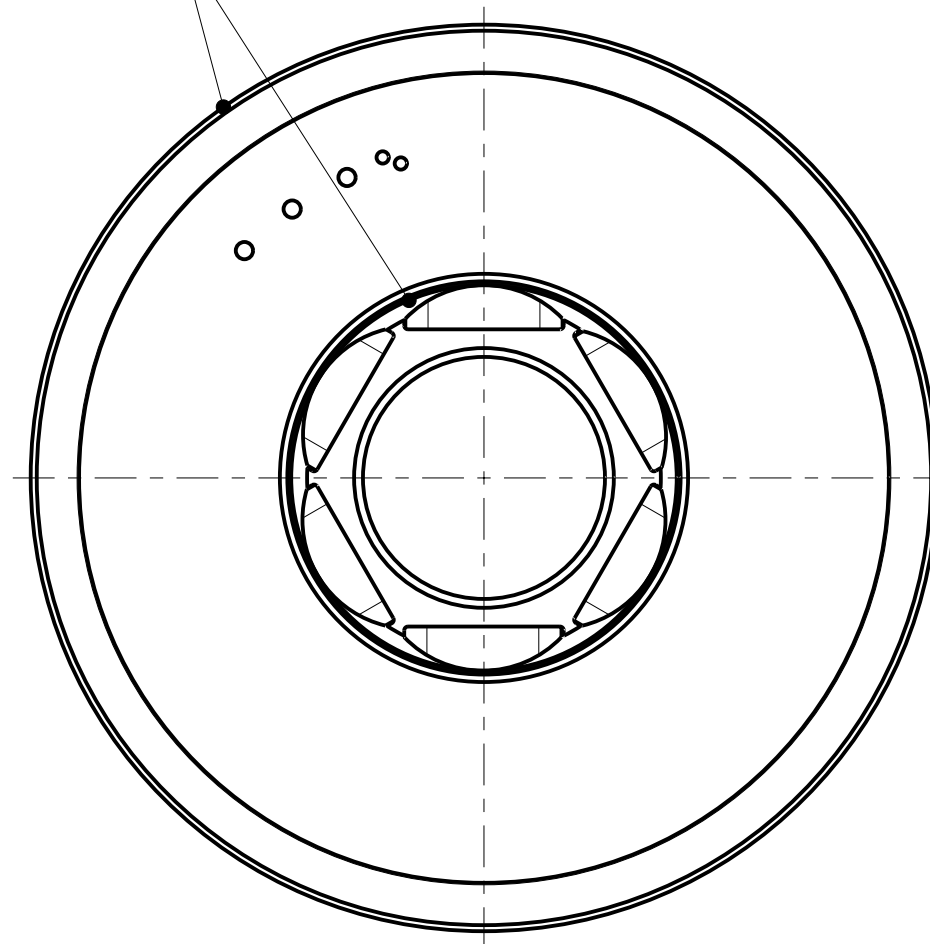
THERMISTOR LEADS:
 #26 AWG TEFLON COATED
 UL RATED 600V, 150°C MIN,
 400.00 [15.75"] MIN. LG.
 EACH 1-BLUE, 1-BLACK

MOTOR LEADS:
 #22 AWG TEFLON COATED PER
 UL 10086, 400.00 [15.75"] MIN. LG.
 EACH 1-BLUE, 1-BROWN, 1-VIOLET

REVISION				
REV	ECN NO.	DESCRIPTION	DATE	APPROVED



MARK O.D. WITH MODEL NO., SERIAL NO., FSCM NO. PER ITEM #3.



MODEL NUMBER	STATOR SEE BOM	FIELD ASSEMBLY	"A" DIM	"B" DIM
KBM-10X01	943915/01X	945191/01	46.00 [1.811]	20.14 [.793]
KBM-10X02	943915/02X	945191/02	65.00 [2.559]	39.02 [1.536]
KBM-10X03	943915/03X	945191/03	84.00 [3.307]	57.89 [2.279]
KBM-10X04	943915/04X	945191/04	103.00 [4.055]	76.77 [3.022]

STEP	PHASE "U" BLUE	PHASE "V" BROWN	PHASE "W" VIOLET
1	+	-	
2	+		-
3		+	-
4	-	+	
5	-		+
6		-	+

EXCITATION SEQUENCE TABLE

THIS DOCUMENT IS ONLY FOR USE BY THE INTENDED RECIPIENT AND CONTAINS KOLLMORGEN CONFIDENTIAL INFORMATION

Pro/E Instance Name	KBM_10XXX_945481
Pro/E Drawing Name	945481
Pro/E Model Type	ASSEM
Pro/Engineer Drawing	



METRIC DRAWING

<p>DO NOT SCALE DRAWING, USE DIMENSIONS ONLY ALL DIMENSIONS ARE IN MILLIMETERS DIMENSIONS IN BRACKETS [] ARE IN INCHES AND ARE FOR REFERENCE ONLY.</p> <p>INTERPRET GEOMETRIC SYMBOLS PER ANSI Y14.5M-1982</p>	<p>DRAWN BY: HLW DATE: 20-Jan-09</p> <p>CHECKED BY: AG DATE: 17-Sep-09</p> <p>APPROVED BY: TKD DATE: 17-Sep-09</p>
---	--

3	AR	IM-2709	MARKING PROCEDURE
2	I	SEE TABLE 1	FIELD ASSEMBLY
1	I	SEE TABLE 1	STATOR ASSEMBLY
ITEM	QTY	IDENTIFYING NO.	DESCRIPTION

UNLESS OTHERWISE SPECIFIED: REMOVE ALL SHARP BURRS AND BREAK ALL SHARP EDGES X DECIMAL PLACES ±.4 [.015] XX DECIMAL PLACES ±.13 [.005] ANGULAR DIMENSIONS ±1°		<p>KOLLMORGEN</p> <p>Inland Motor</p> <p>INLAND MOTOR 501 FIRST STREET RADFORD, VIRGINIA 24141</p>	
<p>OUTLINE AND ASSEMBLY KBM-10XXX-X00</p>			
FSCM	SIZE	DWG. NO.	REV
11384	C	945481	-
SCALE: 2:1	JOB NO.:	SHEET 1 OF 1	

4

3

2

1

945481