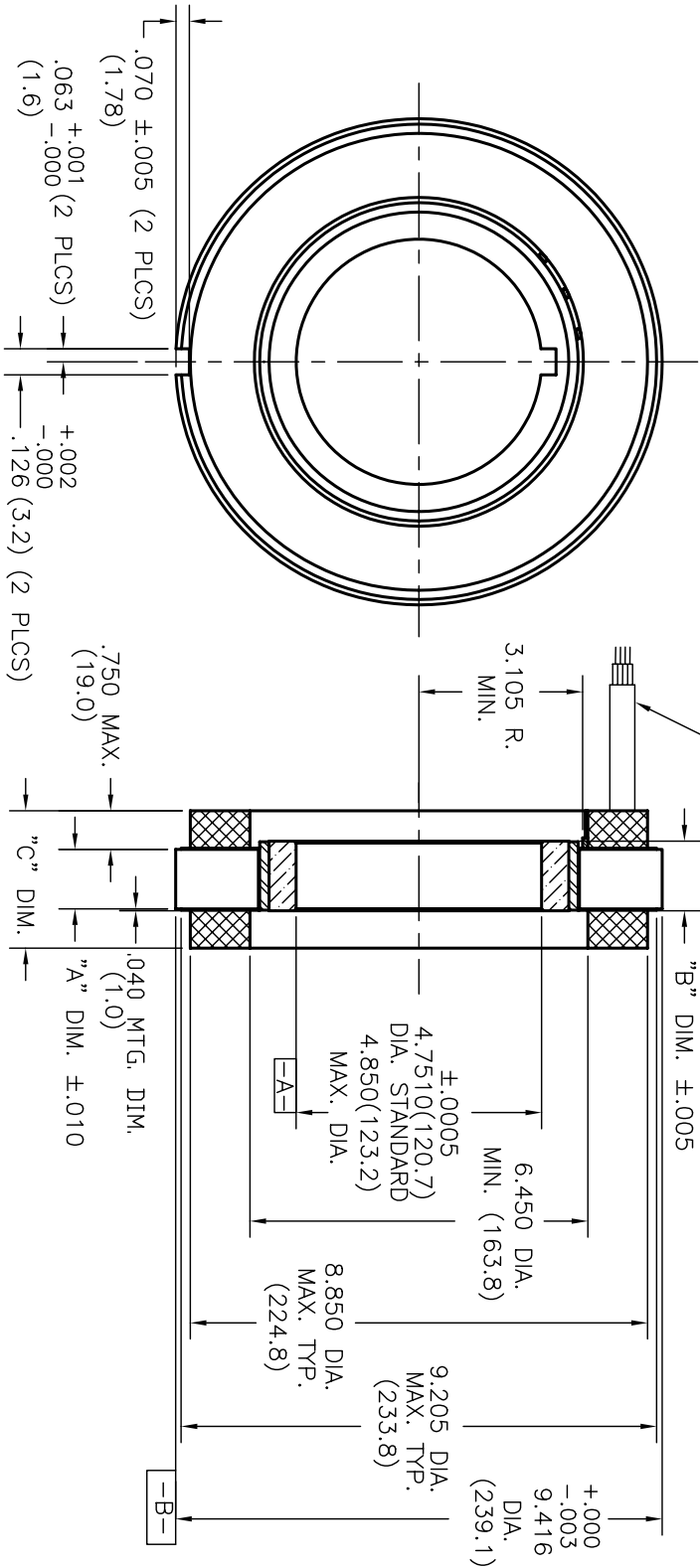


MODEL	"A" DIM.	"B" DIM.	"C" DIM.
HT09000	.500(12.7)	.700(17.8)	2.012(51.1)
HT09001	1.150(29.2)	1.350(34.3)	2.660(67.6)
HT09002	1.800(45.7)	2.000(50.8)	3.311(84.1)



LEADWIRE - TEFLON COATED
 TYPE "E" PER MIL-W-16878/4
 12" MINIMUM LENGTH
 A) MOTOR: # 10 AWG. RED(A),WHT(B),BLK(C).
 B) SENSOR: #22 AWG. BLU(+),BRN(A),ORG(B),
 YEL(C),GRN(GRD)

KEYWAY IS OPTIONAL

1. MOTOR SUPPLIED AS TWO SEPARATE COMPONENTS, ROTOR ASSEMBLY AND STATOR ASSEMBLY.
2. DIAMETERS -A- AND -B- TO BE CONCENTRIC WITHIN .002 WHEN MOUNTED.
3. MOUNTING SURFACE BETWEEN 9.416 AND 9.205 DIAMETERS ON BOTH SIDES.

REVISION		
ECN	LTR	DATE
---	C	6/97
REVISE AND REDRAW		APPROVED
		BWT

UNLESS OTHERWISE SPECIFIED DIMENSIONS ARE IN INCHES TOLERANCES ON		DRAWSMAN:	DATE:
3 PLACE DEC ± .005		BWT	6/97
2 PLACE DEC ± .01		CHECKER:	
1 PLACE DEC ± .1		ENGINEER:	
DO NOT SCALE		CUSTOMER:	
MATERIAL			
FINISH			
DWG NUMBER		TITLE:	
B		Emotek Corp	
00214		10002-B East 43rd St. South	
HT0900X-X0X		TULSA, OK 74148	
DRAWING NUMBER		OUTLINE DRAWING	
HT0900X-X0X		FRAMELESS MOTOR	
SCALE		SHEET	
		1 of 1	