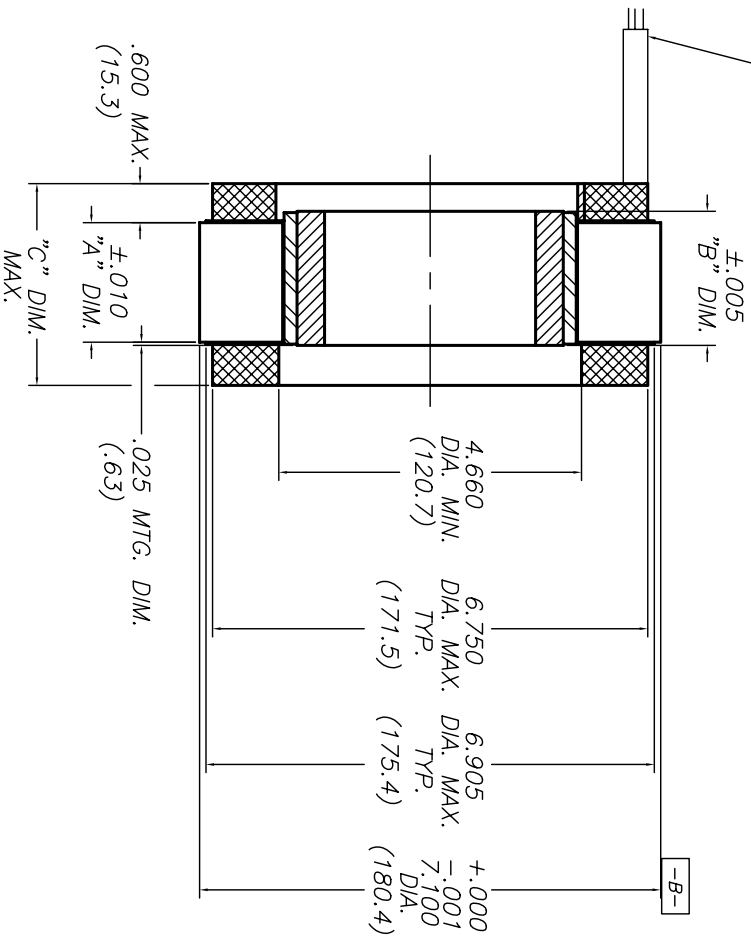
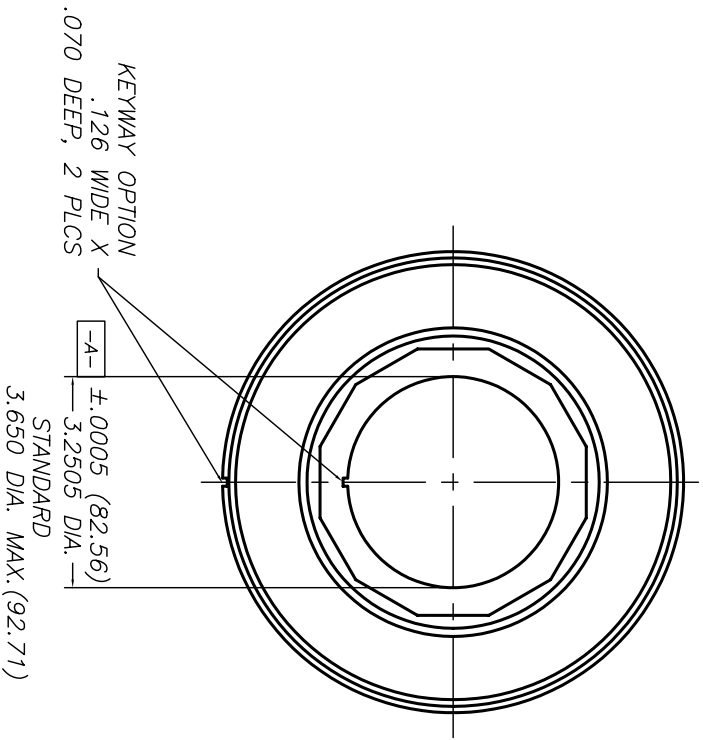


MODEL	"A" DIM.	"B" DIM.	"C" DIM.
HT07000	.500(12.7)	.700(17.8)	1.767(44.9)
HT07001	1.170(29.8)	1.370(34.8)	2.437(61.9)
HT07002	1.840(46.8)	2.040(51.9)	3.107(78.9)
HT07003	2.510(63.8)	2.710(68.9)	3.777(95.9)
HT07004	3.180(80.8)	3.380(85.9)	4.447(112.9)



LEADWIRE - TEFLON COATED  
 TYPE "E" PER MIL-W-16878/4  
 12" MINIMUM LENGTH  
 A) MOTOR: # 14 AWG. RED(A), WHI(B), BLK(C),  
 BLU(+), BRN(A), ORG(B),  
 B) SENSOR: #28 AWG. YEL(C), GRN(GRD)

1. MOTOR SUPPLIED AS TWO SEPARATE COMPONENTS, ROTOR ASSEMBLY AND STATOR ASSEMBLY.
2. DIAMETERS -A- AND -B- TO BE CONCENTRIC WITHIN .002 WHEN MOUNTED.
3. MOUNTING SURFACE BETWEEN 7.100 AND 6.905 DIAMETERS ON BOTH SIDES.

REVISION			DATE	APPROVED
EON	LTR		6/97	BWT
---	C	REVISE AND REDRAW		

UNLESS OTHERWISE SPECIFIED DIMENSIONS ARE IN INCHES TOLERANCES ON		DATE:	DRAWING NUMBER	
ANGLES	3 PLACE	6/97	HT07000-X0X	
±.010	2 PLACE			
±.005	DEC. ±.01			
MATERIAL		ENGINEER:	DRAFTSMAN:	
DO NOT SCALE			BWT	
FINISH		CHECKER:	DATE:	
CUSTOMER:			6/97	
SCALE:		<b>Emotek Corp</b> 10002-B East 43rd St. South TULSA, OK 74148 TITLE: <b>OUTLINE DRAWING</b> <b>FRAMELESS MOTOR</b>		
DWG NUMBER	CODE IDENTIFICATION	DWG NUMBER	DRAWING NUMBER	
00214	B	HT07000-X0X	HT07000-X0X	
SIZE	SCALE	SHEET	OF	