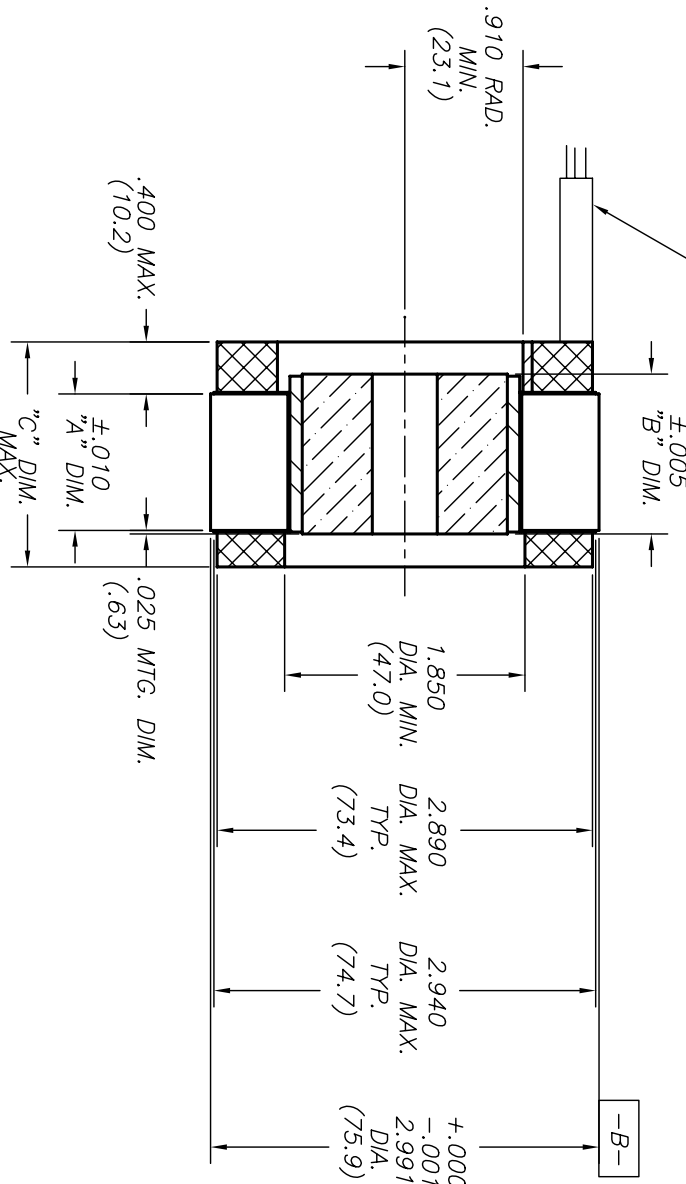
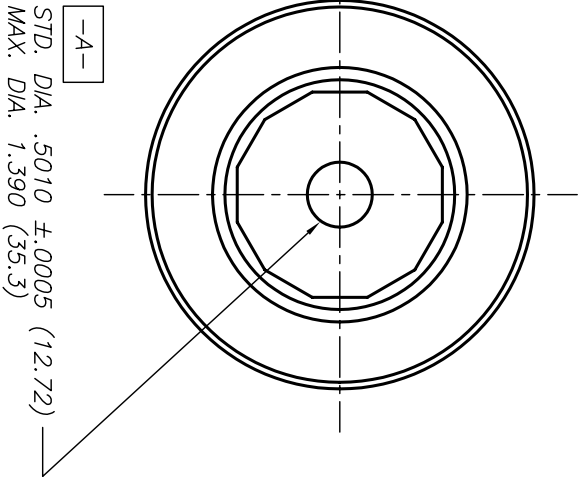


MODEL	"A" DIM.	"B" DIM.	"C" DIM.
HT03000	.250(6.4)	.430(10.9)	.931(23.6)
HT03001	.650(16.6)	.830(21.1)	1.331(33.8)
HT03002	1.050(26.7)	1.230(31.3)	1.731(44.0)
HT03003	1.450(36.9)	1.630(41.4)	2.131(54.1)
HT03004	1.850(47.0)	2.030(51.6)	2.531(64.3)
HT03005	2.250(57.2)	2.430(61.8)	2.931(74.4)



LEADWIRE - TEFLON COATED
 TYPE "E" PER MIL-W-16878/4
 12" MINIMUM LENGTH
 A) MOTOR: # 18 AWG. RED(A), WHT(B), BLK(C),
 B) SENSOR: #28 AWG. BLU(+), BRN(A), ORG(B),
 YEL(C), GRN(GRD)

1. MOTOR SUPPLIED AS TWO SEPARATE COMPONENTS, ROTOR ASSEMBLY AND STATOR ASSEMBLY.
2. DIAMETERS "A" AND "B" TO BE CONCENTRIC WITHIN .002 WHEN MOUNTED.
3. MOUNTING SURFACE BETWEEN 2.991 AND 2.940 DIAMETERS ON BOTH SIDES.

REVISION			
ECN	LTR	DATE	APPROVED
---	B	6/97	BWT
REVISE AND REDRAW			

UNLESS OTHERWISE SPECIFIED DIMENSIONS ARE IN INCHES TOLERANCES ON		DRAWSMAN: BWT		DATE: 6/97	
ANGLES	3 PLACE DEC ± .005	CHECKER:			
DO NOT SCALE		ENGINEER:			
MATERIAL		CUSTOMER:			
FINISH					
DWG IDENTIFICATION NUMBER 00214		CODE IDENTIFICATION NUMBER HT03000-X0X		DRAWING NUMBER	
SCALE		SHEET		OF	

Emotek Corp
 10002-B East 43rd St. South
 TULSA, OK 74148

TITLE:
 OUTLINE DRAWING
 FRAMELESS MOTOR