



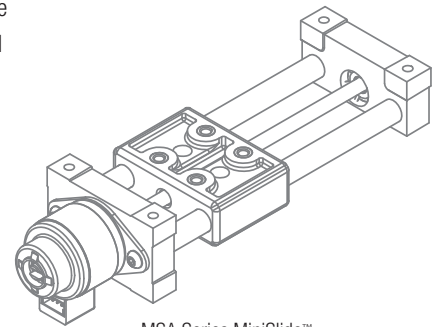
Save Engineering Time!

new
MiniSlide™
 motorized with
 Can-Stack Stepper

small size, big power

Exceedingly configurable, simple to integrate MiniSlide™ assembly is ideally suited for small lab and automation equipment.

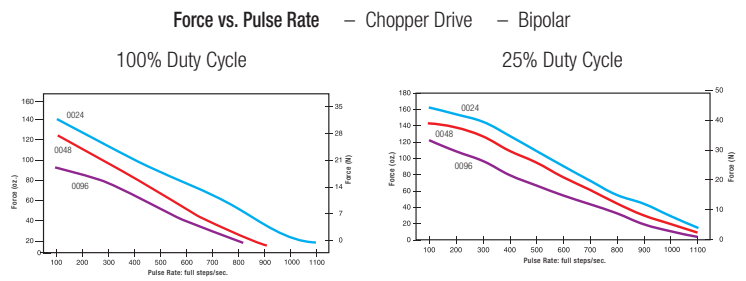
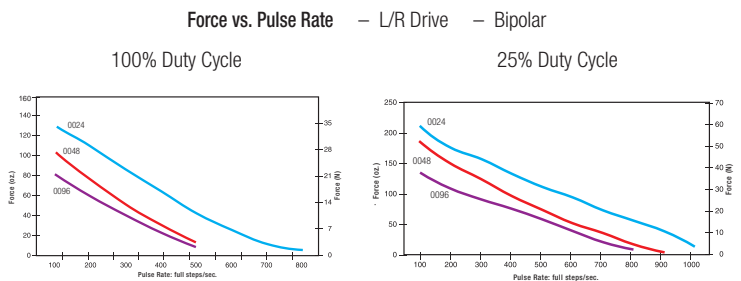
Compact, low profile
 Economically priced



| Ø 20mm (.79-in) 19000 Series Motor | |
|------------------------------------|----------------------|
| Step Angle | 7.5° |
| Wiring | Bipolar |
| Winding Voltage | 5 VDC 12 VDC |
| Current (RMS)/phase | 350 mA 160 mA |
| Resistance/phase | 14.0 Ω 74.5 Ω |
| Inductance/phase | 6.24 mH 31.2 mH |
| Power Consumption | 3.38 W |
| Insulation Class | Class B |
| Weight | 1.24 oz (35 g) |
| Insulation Resistance | 20 Ω |

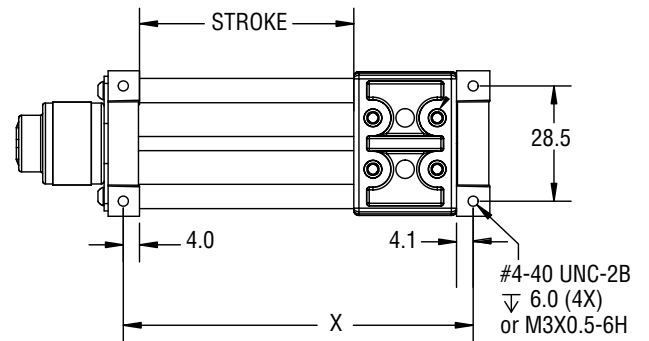
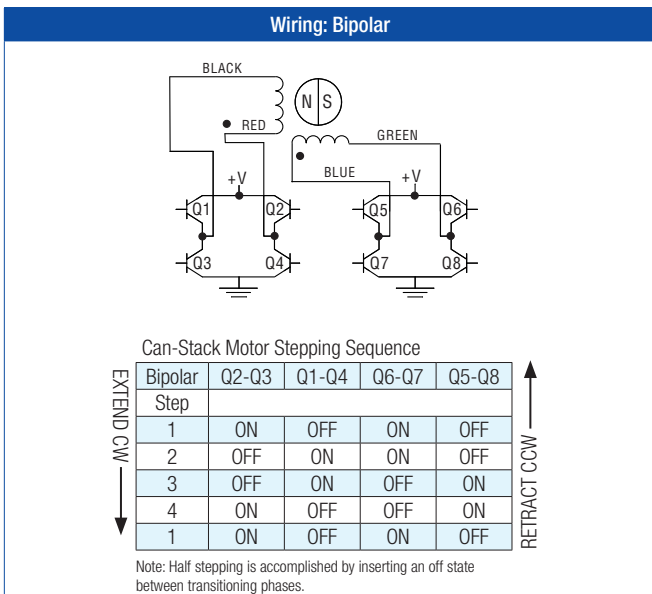
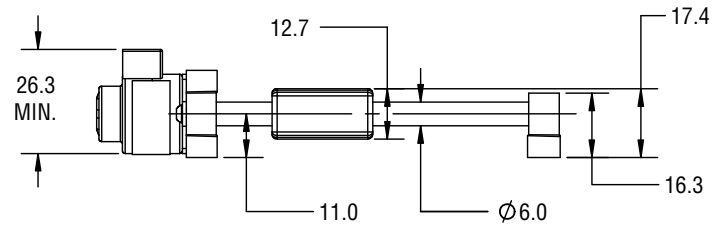
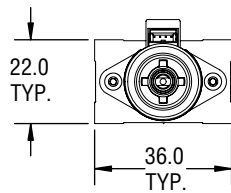
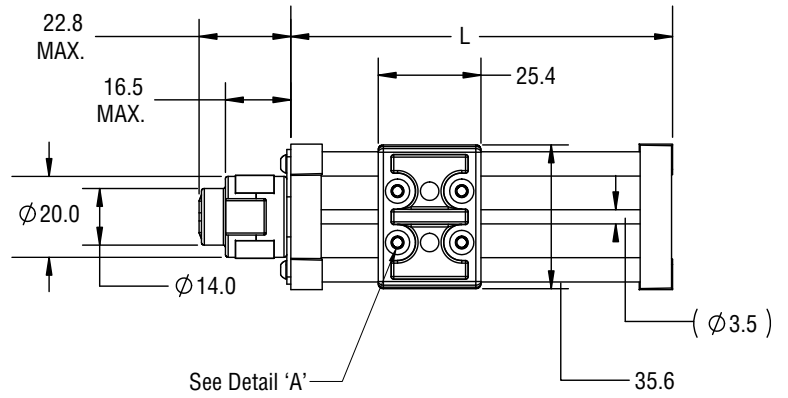
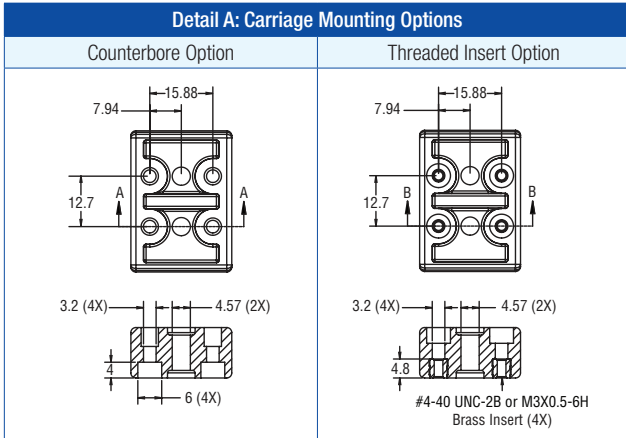
MiniSlide is also available with Size 8 Hybrid Stepper Linear Actuator.

Performance Curves



NOTE: All chopper drive curves were created with a 5 volt motor and a 40 volt power supply. Ramping can increase the performance of a motor either by increasing the top speed or getting a heavier load accelerated up to speed faster. Also, deceleration can be used to stop the motor without overshoot. With L/R drives peak force and speeds are reduced, using a unipolar drive will yield a further 30% force reduction.





| Dimensions | | |
|------------|-----------------|--------------------|
| Stroke | Rail Length "L" | Mounting Holes "X" |
| 25 mm | 69.4 mm | 61.5 mm |
| 50 mm | 94.4 mm | 86.5 mm |
| 75 mm | 119.4 mm | 111.5 mm |
| 100 mm | 144.4 mm | 136.5 mm |

Ordering Part Numbers for MiniSlide™ motorized with 19000 Series Can-Stack Motor

| MSA | 02 | K | C | 0020 | | XXX |
|---------------------------|------------------|--|---|---|--|--|
| Prefix | Frame Size | Coating | Motor | Nominal Thread Lead Code | | Unique Identifier |
| MSA = Mini Slide Actuator | 02 = 1/8" Screws | K = TFE Kerkote B = TFE Black Ice G = Grease S = No Lubricant | C = 20mm G4 19000 Can-Stack Stepper Motor | 0020 = 1/2mm lead 0039 = 1mm lead 0079 = 2mm lead 0157 = 4mm lead 0315 = 8mm lead | 0012 = 0.012" lead 0024 = 0.024" lead 0048 = 0.048" lead 0096 = 0.096" lead | 805 = 50mm stroke M3 mounting 810 = 100mm stroke M3 mounting 905 = 50mm stroke #4-40 mounting 910 = 100mm stroke #4-40 mounting |

NOTE: Dashes must be included in the Part Number (-) as shown above. For assistance call our Engineering Team at 203 756 7441.